



# MEDIUM PRESSURE, SINGLE INLET CENTRIFUGAL FANS

## CRT Series



CONTINUOUS OPERATION

Range of single inlet direct drive centrifugal fans designed for continuous extraction of air stream up to 120°C. Casings are protected by grey colour, epoxy-polyester paint coating.

The scroll of the models from 630 to 1000 is fitted with a large inspection door.

All models incorporate backward curved centrifugal impellers manufactured from electro-welded sheet steel and protected by a cold galvanizing process.

### Motors

2, 4 or 6 pole motors.

All motors are **IP55, class F**.

Electrical supply:

Three-phase 230/400V-50Hz up to 3kW and 400V-50Hz for higher motor powers.

### Additional Information

Standard supplied position: LG 270.

### On request

- Fan supplied in RD positions.
- Scroll drain hole.
- Scroll inspection door (models from 220 to 560).
- Fan assembled without motor support.
- Max. 22kW. (MB versions – flange mounted motor B5).
- Stainless steel versions (AISI 304 or AISI 316).
- All the fan or only the scroll and the impeller.
- High temperature versions, up to 250°C (R versions).
- Belt driven versions (models from 400 to 1000).
- ATEX versions.
- 60Hz application.
- 2-speed motor.
- High efficiency IE2 Motors.
- Motor with PTC thermal protection.

**On request, explosion proof versions in accordance to ATEX Directive for three phase models:**

- **Increased safety** Ⓜ II2G EExellT3.
- **Flame proof** Ⓜ II2G EExdIIBT5 or Ⓜ EExdIICT4
- Ⓜ II3D Ex tD 125°C or 135°C.

**Working temperature up to 40°C.**

- **Sparking Fan with standard motor** Ⓜ EXII2/-G.

## APPLICATIONS



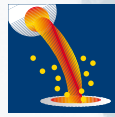
Industrial and Commercial kitchens



Painting cabins



Commercial or industrial drying installations



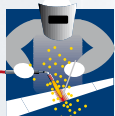
Iron and steel industries Foundries



Dust transport



Cooling of motors, compressors or other electrical machines



Welding installations



Car industry / furnace ventilation

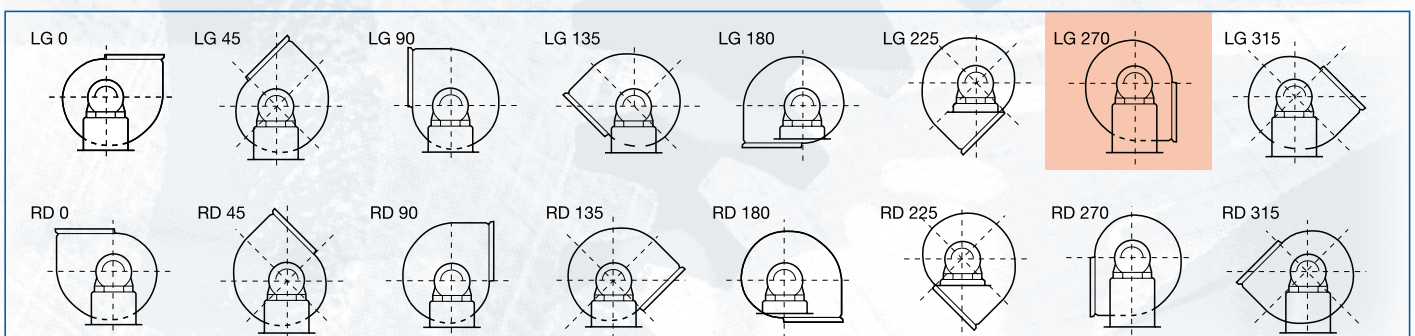


CONTINUOUS OPERATION



VERSIONS

## POSITIONS



Standard supplied position: LG270. Special versions are supplied on request.



## ■ Technical characteristics

Before installation check that product electrical characteristics listed on the data plate label (Voltage, power, frequency etc) match those of the intended electrical supply.

Model	Speed (r.p.m.)	Motor power (kW)	Maximum absorbed current 400V (A)	Maximum airflow (m <sup>3</sup> /h)	Sound pressure level (dB(A))	Weight (Kg)
<b>2 POLE MOTORS</b>						
CRT/2-251 0,37	2815	0,37	0,89	1.330	61	25
CRT/2-281 0,55	2800	0,55	1,18	1.910	63	38
CRT/2-311 1,1	2800	1,1	2,36	2.700	67	50
CRT/2-351 2,2	2880	2,2	4,40	3.820	70	67
CRT/2-401 4	2900	4	7,55	5.400	74	98
CRT/2-451 7,5	2860	7,5	13,90	7.630	77	146
CRT/2-501 11	2930	11	20,00	9.540	81	215
CRT/2-562 15	2920	15	26,50	13.500	83	266
CRT/2-561 18,5	2920	18,5	32,00	15.300	84	280
CRT/2-632 30	2945	30	53,00	19.080	87	320
CRT/2-631 37	2945	37	65,00	21.600	88	340
<b>4 POLE MOTORS</b>						
CRT/4-631 5,5	1450	5,5	11,10	10.800	70	220
CRT/4-712 7,5	1450	7,5	14,80	15.300	72	330
CRT/4-802 11	1470	11	22,60	19.080	76	440
CRT/4-801 15	1455	15	28,50	21.600	77	460
CRT/4-902 22	1470	22	41,00	27.000	79	610
CRT/4-901 30	1475	30	55,00	30.600	80	640
CRT/4-1002 37	1475	37	68,00	38.160	83	820
CRT/4-1001 45	1475	45	84,00	38.160	84	845

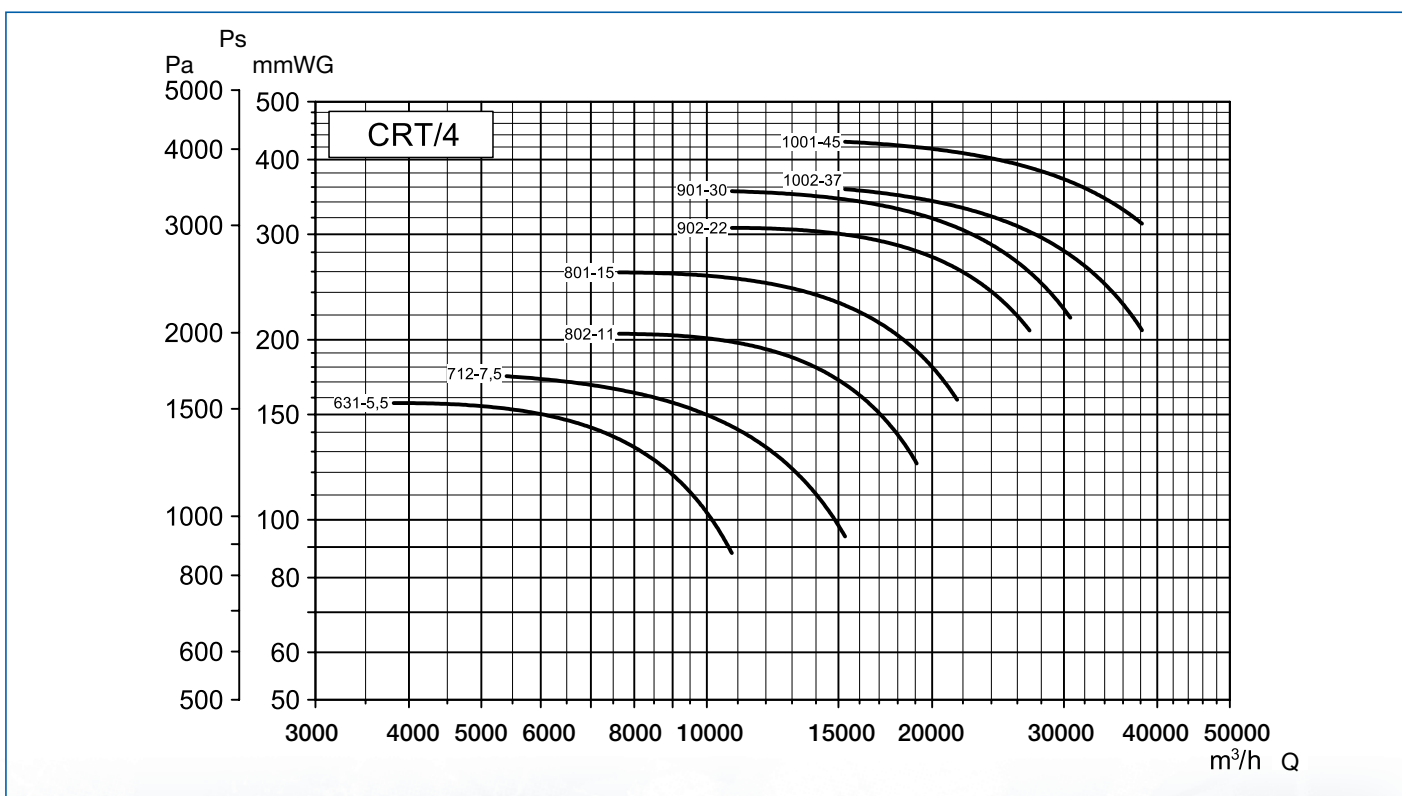
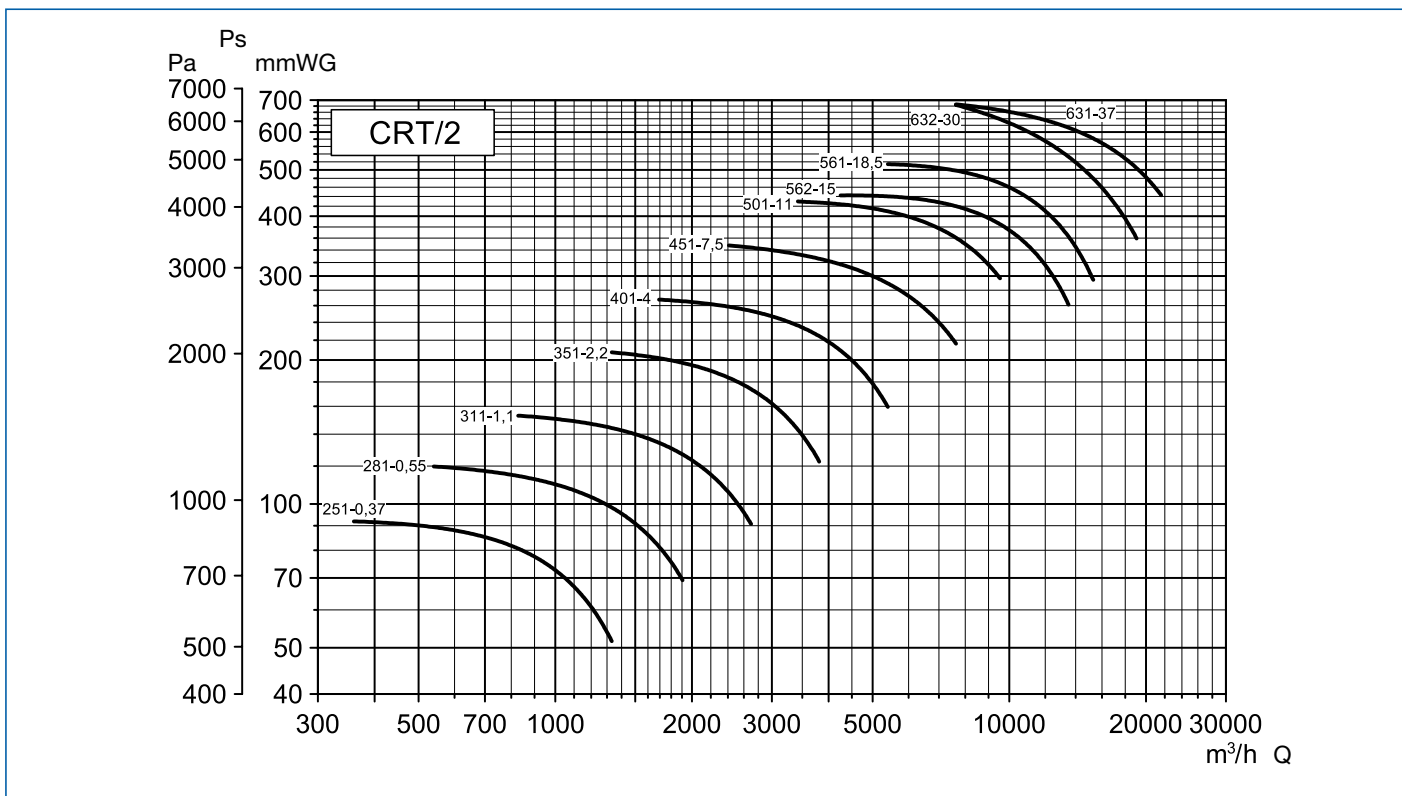
CRT

Centrifugal direct drive fans

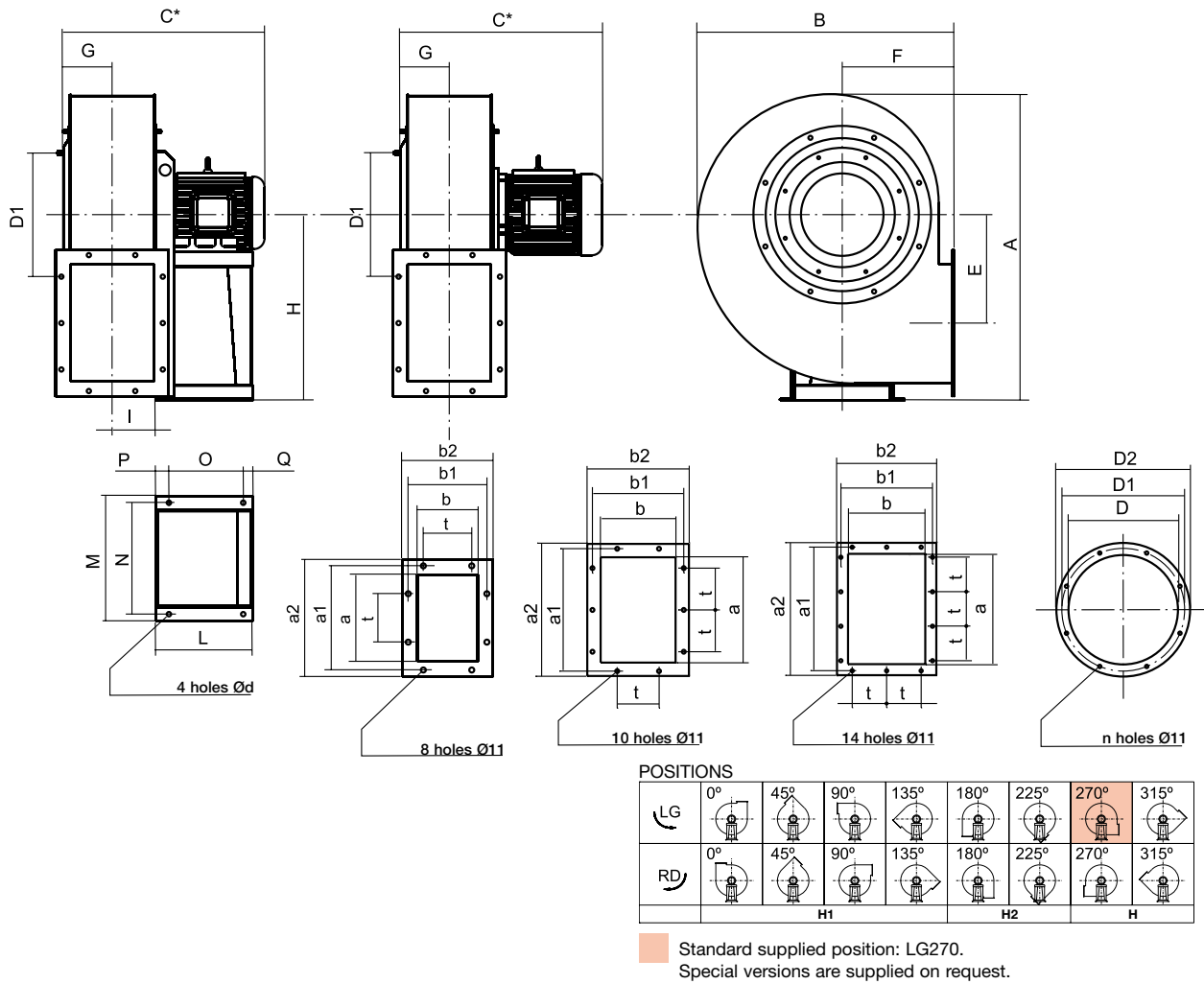


## ■ Performance curves

- Q = Air volume in m<sup>3</sup>/hr.
- Ps = Static pressure in mmWG and Pa.
- Dry air at 20°C and 760 mmHg.
- Performance data in accordance with ISO 5801 and AMCA 210-99 Standards.



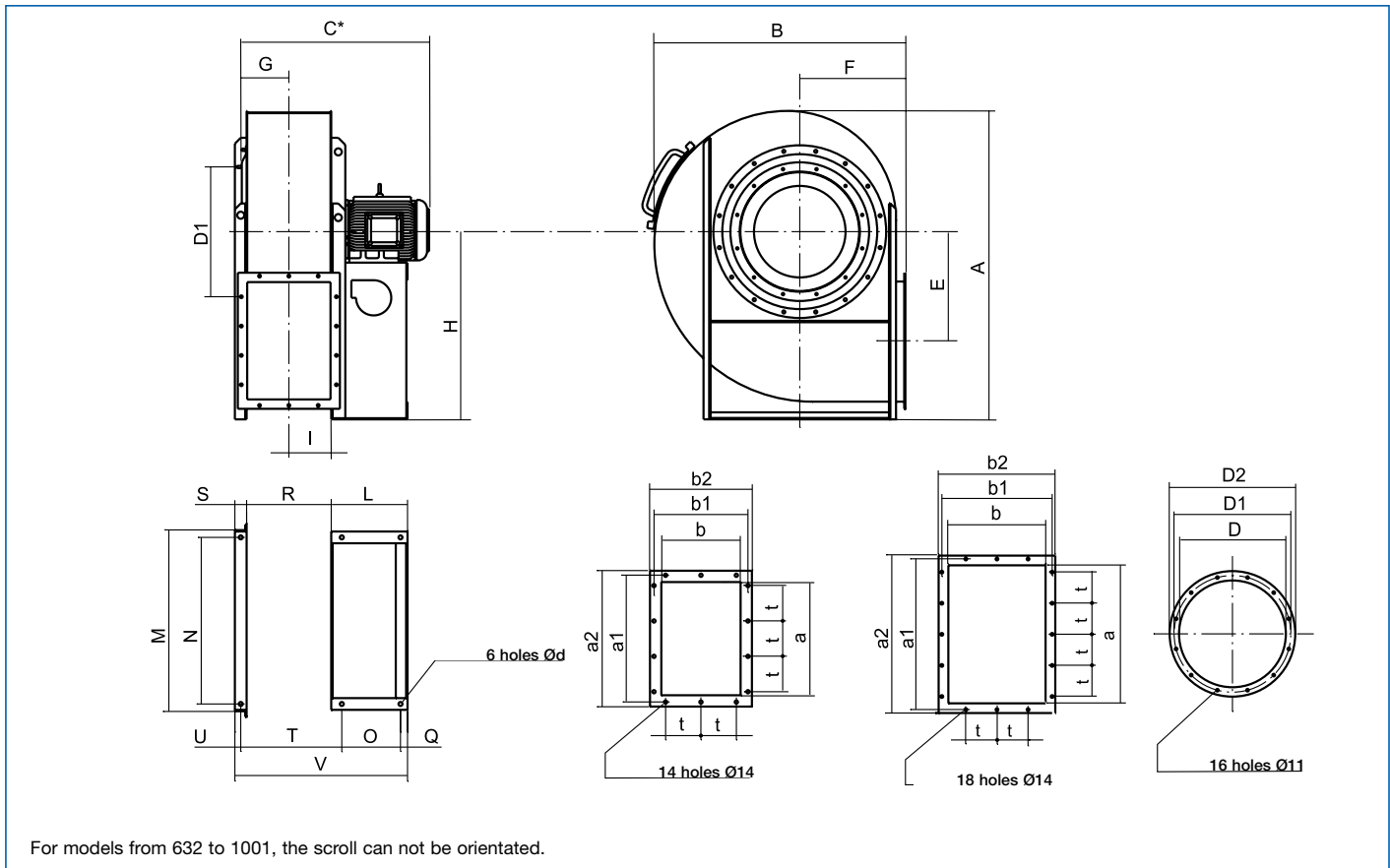
■ **Dimensions (mm) (models from 251 to 561)**



Model	A	B	C	E	F	G	H	H1	H2	I	L	M	N	O	P	Q	d
CRT/2-251	520	440	395	170	200	83	315	315	200	76	190	235	215	125	50	15	10
CRT/2-281	585	490	420	202	212	95	355	355	212	88	190	235	215	125	50	15	10
CRT/2-311	660	545	460	228	236	108	400	400	236	98	190	235	215	125	50	15	10
CRT/2-351	740	595	545	263	265	121	450	450	265	108	215	270	245	137	60	18	10
CRT/2-401	830	670	650	292	300	133	500	500	300	120	260	335	300	200	35	25	12
CRT/2-451	930	750	730	328	335	146	560	560	335	132	320	392	360	250	45	25	12
CRT/2-501	1010	840	830	365	355	161	630	560	355	148	380	440	400	305	45	30	14
CRT/2-562	1120	940	880	410	400	180	710	560	400	165	425	440	400	340	55	30	14
CRT/2-561	1120	940	880	410	400	180	710	560	400	165	425	440	400	340	55	30	14

Model	D	D1	D2	N°	Ø	a	b	a1	b1	a2	b2	t	N	Ø
CRT/2-251	205	241	275	8	11	200	140	241	182	270	210	112	8	11
CRT/2-281	229	265	299	8	11	224	160	265	200	294	230	112	8	11
CRT/2-311	255	292	325	8	11	250	180	292	219	320	250	112	10	11
CRT/2-351	286	332	366	8	11	280	200	332	249	360	280	125	10	11
CRT/2-401	321	366	401	8	11	315	224	366	273	395	304	125	10	11
CRT/2-451	361	405	440	8	11	355	250	405	300	435	330	125	10	11
CRT/2-501	406	448	485	8	11	400	280	448	332	480	360	125	14	11
CRT/2-562	456	497	535	12	11	450	315	497	366	530	395	125	14	11
CRT/2-561	456	497	535	12	11	450	315	497	366	530	395	125	14	11

■ **Dimensions (mm) (models from 632 to 1001)**



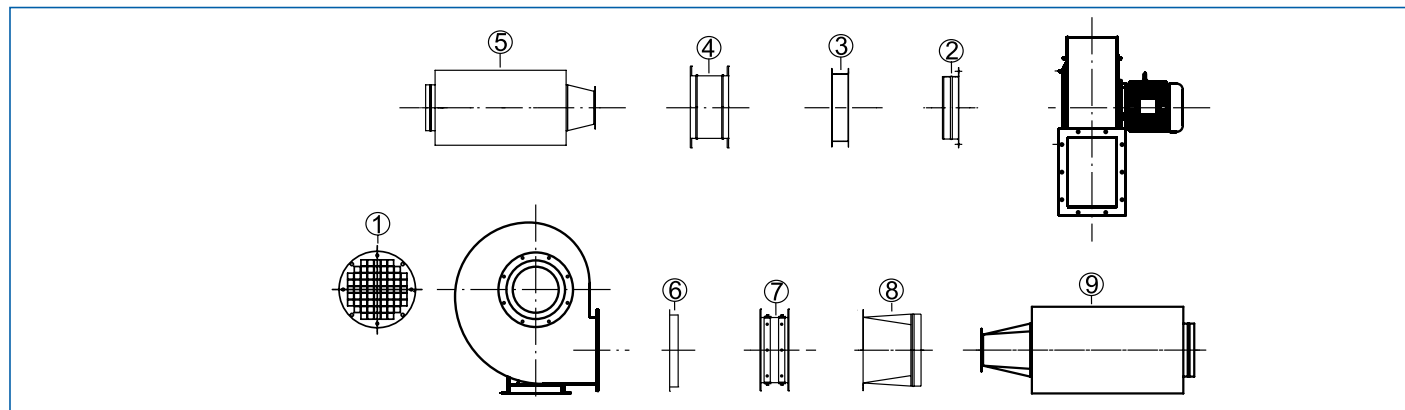
Model	A	B	C	E	F	G	H	H1	H2	I	L	M	N	O	Q	R	S	T	U	V	d
CRT/2-632	1310	1080	990	465	450	200	800	630	450	185	500	570	510	385	40	360	50	460	25	910	19
CRT/2-631	1310	1080	990	465	450	200	800	630	450	185	500	570	510	385	40	360	50	460	25	910	19
CRT/4-631	1310	1080	790	465	450	200	800	630	450	180	320	760	710	250	25	360	50	430	25	730	17
CRT/4-712	1480	1210	840	525	500	225	900	710	500	205	320	850	800	250	25	405	50	475	25	775	17
CRT/4-802	1650	1340	1040	585	560	253	1000	800	560	230	425	930	870	340	30	455	60	540	30	940	17
CRT/4-801	1650	1340	1040	585	560	253	1000	800	560	230	425	930	870	340	30	455	60	540	30	940	17
CRT/4-902	1770	1480	1160	630	630	278	1060	900	630	255	470	1030	970	370	35	506	60	601	30	1036	19
CRT/4-901	1770	1480	1160	630	630	278	1060	900	630	255	500	1030	970	385	40	506	60	611	30	1066	19
CRT/4-1002	1980	1660	1410	710	710	313	1180	1000	710	285	500	1130	1060	375	40	568	70	693	30	1138	21
CRT/4-1001	1980	1660	1410	710	710	313	1180	1000	710	285	550	1130	1060	425	40	568	70	693	30	1188	21

Model	D	D1	D2	N°	Ø	a	b	a1	b1	a2	b2	t	N	Ø
CRT 632-631	506	551	586	12	11	500	355	551	405	580	435	125	14	11
CRT 712-711	566	629	666	16	11	560	400	629	464	660	500	160	14	14
CRT 802-801	636	698	736	16	11	630	450	698	513	730	550	160	14	14
CRT 902-901	716	775	816	16	11	710	500	775	567	810	600	160	16	14
CRT1002-1001	806	861	906	16	11	800	560	861	639	920	680	200	14	14



## Accessories

For more information see **MOUNTING ACCESSORIES**.



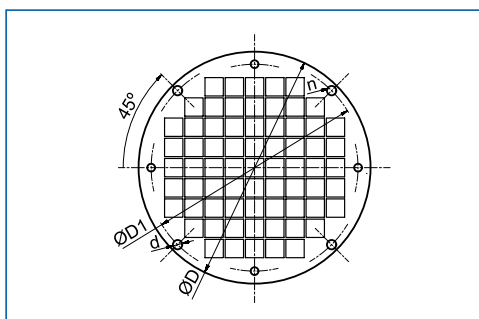
CRT model	① Inlet guard	② Inlet flange	③ Double connection flange	④ Circular flexible connector	⑤ Inlet sound attenuator	⑥ Outlet flange	⑦ Rectangular flexible connector	⑧ Rectangular/circular connection flange	⑨ Outlet sound attenuator
251	KRDA-200	KRBA-200	KRBD-200	KREA-200	KRTA-200/200	KRBR-200x140	KRED-200x140	KRBI-200x140	KRTI-200x140/200
281	KRDA-225	KRBA-225	KRBD-225	KREA-225	KRTA-225/250	KRBR-224x160	KRED-224x160	KRBI-224x160	KRTI-224x160/250
311	KRDA-250	KRBA-250	KRBD-250	KREA-250	KRTA-250/315	KRBR-250x180	KRED-250x180	KRBI-250x180	KRTI-250x180/315
351	KRDA-280	KRBA-280	KRBD-280	KREA-280	KRTA-280/355	KRBR-280x200	KRED-280x200	KRBI-280x200	KRTI-280x200/355
401	KRDA-315	KRBA-315	KRBD-315	KREA-315	KRTA-315/400	KRBR-315x224	KRED-315x224	KRBI-315x224	KRTI-315x224/400
451	KRDA-355	KRBA-355	KRBD-355	KREA-355	KRTA-355/450	KRBR-355x250	KRED-355x250	KRBI-355x250	KRTI-355x250/450
501	KRDA-400	KRBA-400	KRBD-400	KREA-400	KRTA-400/500	KRBR-400x280	KRED-400x280	KRBI-400x280	KRTI-400x280/500
562-561	KRDA-450	KRBA-450	KRBD-450	KREA-450	KRTA-450/630	KRBR-450x315	KRED-450x315	KRBI-450x315	KRTI-450x315/630
632-631	KRDA-500	KRBA-500	KRBD-500	KREA-500	KRTA-500/800	KRBR-500x355	KRED-500x355	KRBI-500x355	KRTI-500x355/800
712-711	KRDA-560	KRBA-560	KRBD-560	KREA-560	KRTA-560/710	KRBR-560x400	KRED-560x400	KRBI-560x400	KRTI-560x400/710
802-801	KRDA-630	KRBA-630	KRBD-630	KREA-630	KRTA-630/800	KRBR-630x450	KRED-630x450	KRBI-630x450	KRTI-630x450/800
902-901	KRDA-710	KRBA-710	KRBD-710	KREA-710	KRTA-710/900	KRBR-710x500	KRED-710x500	KRBI-710x500	KRTI-710x500/900
1002-1001	KRDA-800	KRBA-800	KRBD-800	KREA-800	KRTA-800/1000	KRBR-800x560	KRED-800x560	KRBI-800x560	KRTI-800x560/1000



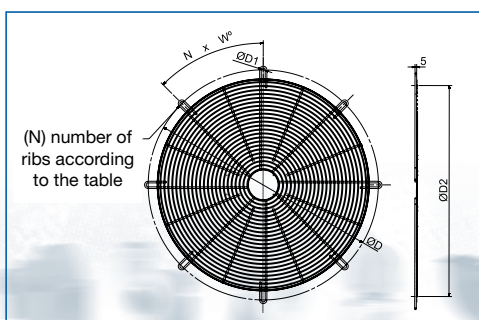
## Mounting accessories



**KRDA**  
**INLET PROTECTION GUARD**  
Inlet protection guard to prevent any contact with the fan impeller.



Model	D	D1	d	n
KRDA-200	265	219	9	8
KRDA-225	290	265	9	8
		260	9	8
KRDA-250	320	292	9	8
KRDA-280	360	332	9	8
KRDA-315	395	366	11	8
KRDA-355	435	405	11	8
KRDA-400	480	448	11	12



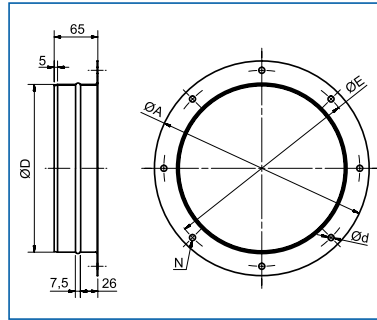
Model	D	D1	d	N	W
KRDA-450	497	12	450	6	60
KRDA-500	551	12	500	6	60
KRDA-560	629	12	570	8	45
KRDA-630	698	12	640	8	45
KRDA-710	775	12	720	8	45
KRDA-800	861	12	810	8	45

## ■ Mounting accessories

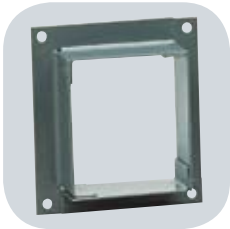


### KRBA INLET FLANGE

Flange to facilitate the connection of the circular duct at the fan inlet.

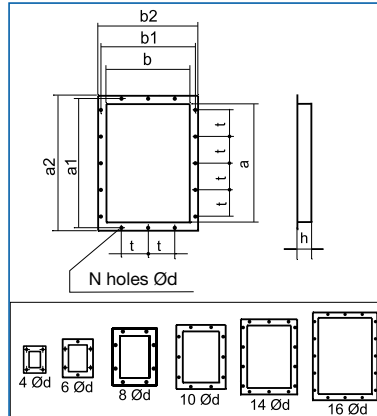


Model	D	E	A	N	d
KRBA-200	200	241	265	8	9
KRBA-225	225	265	290	8	9
KRBA-250	250	292	320	8	9
KRBA-280	280	332	360	8	9
KRBA-315	315	366	395	8	11
KRBA-355	355	405	435	8	11
KRBA-400	400	448	480	12	11
KRBA-450	450	497	537	12	12
KRBA-500	506	551	595	12	12
KRBA-560	568	629	655	12	12
KRBA-630	638	698	725	12	12
KRBA-710	718	775	806	16	12
KRBA-800	806	861	896	16	12

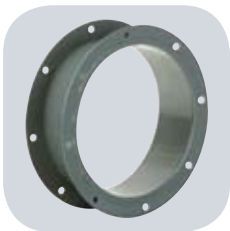


### KRBR OUTLET FLANGE

Flange to facilitate the connection of the rectangular duct at the fan outlet.

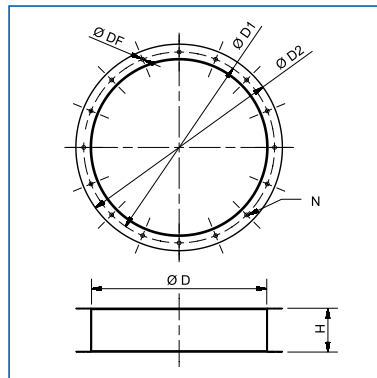


Model	a	b	a1	b1	a2	b2	t	N	d	h
KRBR-200X140	200	140	241	182	270	210	112	8	12	45
KRBR-224X160	224	160	265	200	294	230	112	8	12	45
KRBR-250X180	250	180	292	219	320	250	112	10	12	45
KRBR-280X200	280	200	332	249	360	280	125	10	12	50
KRBR-315X224	315	224	366	273	395	304	125	10	12	50
KRBR-355X250	355	250	405	300	435	330	125	10	12	50
KRBR-400X280	400	280	448	332	480	360	125	14	12	55
KRBR-450X315	450	315	497	366	530	395	125	14	12	55
KRBR-500X355	500	355	551	405	580	435	125	14	12	55
KRBR-560X400	560	400	629	464	660	500	160	14	14	55
KRBR-630X450	630	450	698	513	730	550	160	14	14	60
KRBR-710X500	710	500	775	567	810	600	160	16	14	60
KRBR-800X560	800	560	871	639	920	680	200	14	14	60



### KRBD DOUBLE CONNECTION FLANGE

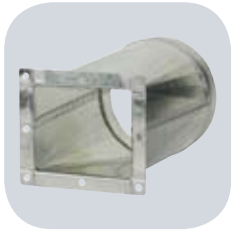
Double connection flange to mount at the fan inlet for the connection with a duct or a flat surface.



Model	D	D1	D2	DF	N	H
KRBD-200	200	241	265	10	8	80
KRBD-225	225	265	290	10	8	80
KRBD-250	250	292	320	10	8	100
KRBD-280	280	332	360	10	8	100
KRBD-315	315	366	395	12	8	140
KRBD-355	355	405	435	12	8	140
KRBD-400	400	448	480	12	12	140
KRBD-450	450	497	530	12	12	140
KRBD-500	500	551	580	12	12	140
KRBD-560	560	629	660	12	16	140
KRBD-630	630	698	730	12	16	140
KRBD-710	710	775	810	12	16	140
KRBD-800	800	861	900	12	16	140

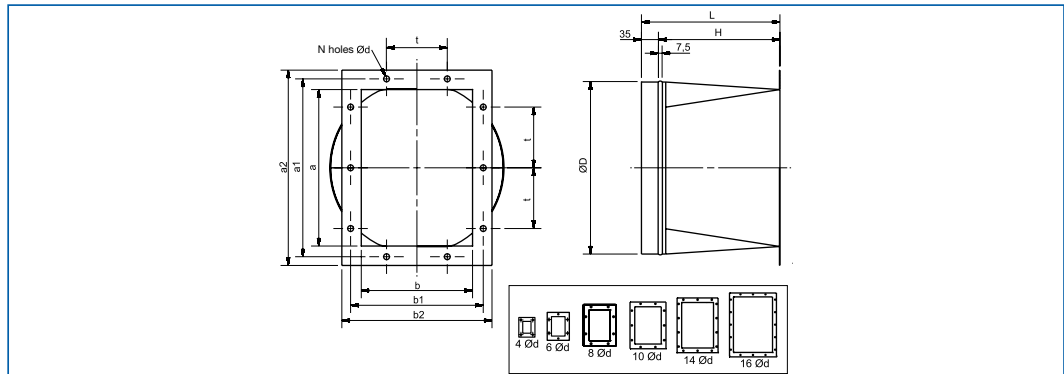


## ■ Mounting accessories



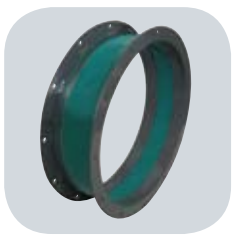
### KRBI RECTANGULAR / CIRCULAR CONNECTION

Connection flange to mount at the fan outlet for connection with a circular duct.



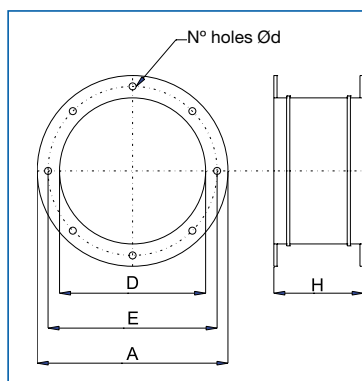
Model	a	b	a1	b1	a2	b2	t	N	d	H	L	D
KRBI-200x140	200	140	241	182	270	210	112	8	12	250	285	180
KRBI-224x160	224	160	265	200	294	230	112	8	12	300	335	200
KRBI-250x180	250	180	292	219	320	250	112	10	12	300	335	225
KRBI-280x200	280	200	332	249	360	280	125	10	12	300	335	250
KRBI-315x224	315	224	366	273	395	304	125	10	12	300	335	280
KRBI-355x250	355	250	405	300	435	330	125	10	12	300	335	300
KRBI-400x280	400	280	448	332	480	360	125	14	12	450	485	355
KRBI-450x315	450	315	497	366	530	395	125	14	12	450	485	400
KRBI-500x355	500	355	551	405	580	435	125	14	12	450	485	450
KRBI-560x400	560	400	629	464	660	500	160	14	14	450	485	500
KRBI-630x450	630	450	698	513	730	550	160	14	14	500	535	600
KRBI-710x500	710	500	775	567	810	600	160	16	14	500	535	630
KRBI-800x560	800	560	871	639	920	680	160	14	14	550	585	710

CRT



### KREA INLET FLEXIBLE CONNECTOR

Flexible connector manufactured from 2 inlet flanges mounted with a flexible material to connect the duct at the fan inlet. Avoid the vibrations.



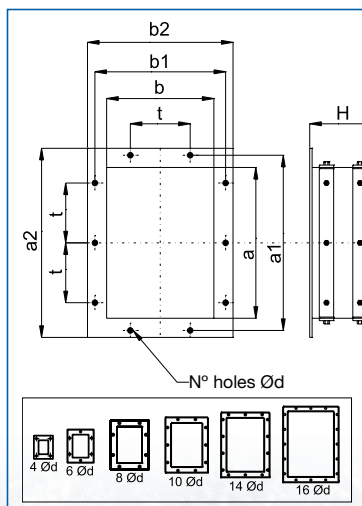
Model	D	E	A	H	N	d
KREA-200	200	241	265	140	8	9
KREA-225	225	265	290	140	8	9
KREA-250	250	292	320	140	8	9
KREA-280	280	332	360	140	8	9
KREA-315	315	366	395	140	8	11
KREA-355	355	405	435	140	8	11
KREA-400	400	448	480	140	12	11
KREA-450	450	497	537	140	12	12
KREA-500	506	551	595	160	12	12
KREA-560	568	629	655	160	12	12
KREA-630	638	698	725	160	12	12
KREA-710	718	775	806	160	16	12
KREA-800	806	861	896	160	16	12

Centrifugal direct drive fans



### KRED OUTLET FLEXIBLE CONNECTOR

Flexible connector manufactured from 2 inlet flanges mounted with a flexible material to connect the duct at the fan outlet. Avoid the vibrations.



Model	a	b	a1	b1	a2	b2	t	H	N	d
KRED-200x140	200	140	241	182	270	210	112	140	8	12
KRED-224x160	224	160	265	200	294	230	112	140	8	12
KRED-250x180	250	180	292	219	320	250	112	140	10	12
KRED-280x200	280	200	332	249	360	280	125	140	10	12
KRED-315x224	315	224	366	273	395	304	125	140	10	12
KRED-355x250	355	250	405	300	435	330	125	140	10	12
KRED-400x280	400	280	448	332	480	360	125	140	14	12
KRED-450x315	450	315	497	366	530	395	125	140	14	12
KRED-500x355	500	355	551	405	580	435	125	160	14	12
KRED-560x400	560	400	629	454	660	500	160	160	14	14
KRED-630x450	630	450	698	513	730	550	160	160	14	14
KRED-710x500	710	500	775	567	810	600	160	160	16	14
KRED-800x560	800	560	871	639	920	680	200	160	14	14



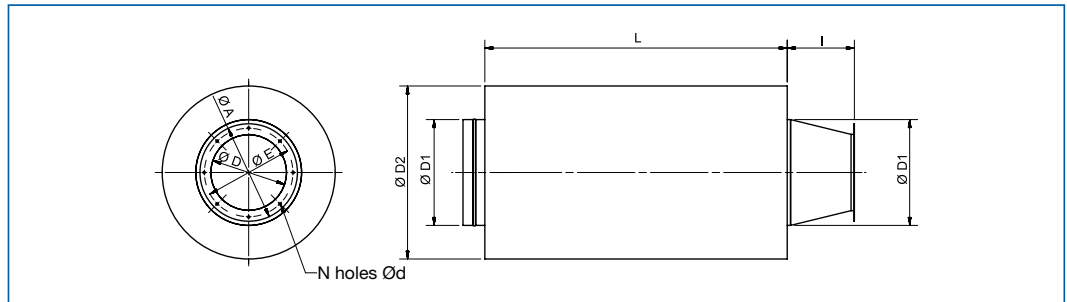


## ■ Mounting accessories



### KRTA INLET ATTENUATOR

Circular attenuator for mounting at the fan inlet. Incorporate circular inlet flange.

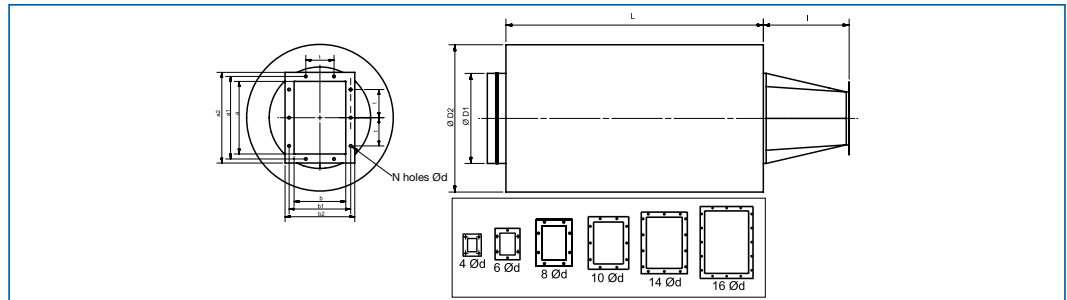


Model	D	E	A	N	d	L	I	D1	D2
KRTA-200/200	200	241	265	8	9	900	150	200	400
KRTA-225/250	225	265	290	8	9	900	200	250	450
KRTA-250/315	250	292	320	8	9	900	200	315	515
KRTA-280/355	280	332	360	8	9	900	200	355	555
KRTA-315/400	315	366	395	8	11	900	250	400	600
KRTA-355/450	355	405	435	8	11	900	250	450	650
KRTA-400/500	400	448	480	12	11	900	250	500	700
KRTA-450/630	450	497	537	12	12	900	300	630	830
KRTA-500/800	506	551	595	12	12	1200	300	800	1000
KRTA-560/710	568	629	655	12	12	1200	300	710	910
KRTA-630/800	638	698	725	12	12	1200	300	800	1000
KRTA-710/900	718	775	806	16	12	1200	450	900	1100
KRTA-800/1000	806	861	896	16	12	1200	450	1000	1200



### KRTI OUTLET ATTENUATOR

Circular sound attenuator for mounting at the fan outlet. Incorporate outlet rectangular flange.



Model	a	b	a1	b1	a2	b2	t	N	d	L	I	D1	D2
KRTI-200x140/200	200	140	241	182	270	210	112	8	11,5	900	300	200	400
KRTI-224x160/250	224	160	265	200	294	230	112	8	11,5	900	300	250	450
KRTI-250x180/315	250	180	292	219	320	250	112	10	11,5	900	300	315	515
KRTI-280x200/355	280	200	332	249	360	280	125	10	11,5	900	300	355	555
KRTI-315x224/400	315	224	366	273	395	304	125	10	11,5	900	300	400	600
KRTI-355x250/450	355	250	405	300	435	330	125	10	11,5	900	300	450	650
KRTI-400x280/500	400	280	448	332	480	360	125	14	11,5	900	450	500	700
KRTI-450x315/630	450	315	497	366	530	395	125	14	11,5	900	450	630	830
KRTI-500x355/800	500	355	551	405	600	455	125	14	11,5	1200	450	800	1000
KRTI-560x400/710	560	400	629	454	660	500	160	14	14	1200	450	710	910
KRTI-630x450/800	630	450	698	513	730	550	160	14	14	1200	500	800	1000
KRTI-710x500/900	710	500	775	567	810	600	160	16	14	1200	500	900	1100
KRTI-800x560/1000	800	560	871	639	920	680	200	14	14	1200	550	1000	1200

